



# Product Catalog

[kraftsmancabinetry.com](http://kraftsmancabinetry.com)  
412-506-8688

5/6/2022



## **Table of Contents**

<b>Kitchen Cabinet Styles .....</b>	<b>1 - 4</b>
<b>Wall Cabinets .....</b>	<b>5 - 7</b>
<b>Base Cabinets.....</b>	<b>8 - 11</b>
<b>Utility Cabinets .....</b>	<b>11-12</b>
<b>Accessories.....</b>	<b>13 - 16</b>
<b>Vanity Cabinets.....</b>	<b>16-17</b>
<b>Accessories &amp; Panels .....</b>	<b>18</b>
<b>Fillers &amp; Mouldings.....</b>	<b>18-20</b>
<b>Miscellaneous .....</b>	<b>20</b>

**K**raftsman Cabinetry are durable, attractive, and offer vast amounts of kitchen design possibilities. They are shipped and delivered quickly from centrally located warehouses. These quality cabinets allow you to offer value-pricing to your customers.

## Kraftsman Cabinetry Features



**1. Face Frame**  
Solid Wood

**2. Door Hinges**  
DTC 6 Way Adjustable, Soft Close

**3. Box Construction**  
Top, Floor, Sides & Back  $\frac{1}{2}$ " Plywood

**4. Shelves**  
Adjustable  $\frac{3}{4}$ " Plywood

**5. Drawer Slides**  
Undermount, Full Extension, Metal, Soft Close

**6. Drawer Box**  
 $\frac{3}{4}$ " Solid Maple, Dovetailed

**7. Butt Style Doors**  
Allows for easier access

**K**raftsman Cabinetry offers a variety of kitchen cabinet styles to choose from, providing beauty and convenience. From the timeless Summit White Shaker style to classic West Point Grey cabinets, the collection has something for everyone.

**These Prefix Codes Show Item Availability For Each Style In The Following Pages**



Summit White  
Shaker  
**WS**



Hickory  
Shaker  
**HS**



Summit  
Platinum Shaker  
**PS**



West Point  
Grey  
**WP**



Winchester  
Grey  
**WG**



Aspen  
White  
**ASP**

\*Java Shaker featured in separate catalog

**Summit White Shaker • WS**


With simple flat panel doors, sturdy construction and clean lines, Summit White Shaker Style Kitchen Cabinets go well with classic, contemporary or modern designs. These shaker doors are composed of HDF to ensure the highest quality finish.

- Wood Species: Painted
- Faceframe: Solid Wood
- Door Type: Shaker Style [HDF Construction]
- Cabinet Box: 1/2" Plywood
- Drawer Glide: Undermount Soft Close
- Drawer Head: 5-piece Matching Profile
- Drawer Box: 3/4" Solid Wood Dovetail
- Shelves: 3/4" Adjustable Plywood Shelves
- Door Hinges: Soft Close 6-Way Adjustable Concealed
- Interior/Exterior: Matching White Shaker
- Full Overlay Design

**Hickory Shaker • HS**


Hickory Shaker kitchens feature strong grain patterns, color changes, knots and swirled grains formed to the simplicity of the Shaker style. This rustic look is ideal for portraying an old world vibe.

- Wood Species: American Hickory
- Face Frame: Solid Wood
- Door Type: Solid Hickory Shaker Style
- Cabinet Box: 1/2" Plywood
- Drawer Glide: Undermount Soft Close
- Drawer Head: Solid Slab
- Drawer Box: 3/4" Solid Wood Dovetail
- Shelves: 3/4" Adjustable Plywood Shelves
- Door Hinges: Soft Close 6-Way Adjustable Concealed
- Cabinet Interior/Exterior: Natural Birch
- Full Overlay Design

**Summit Platinum Shaker • PS**


Summit Platinum Shaker Cabinets boast a simple shaker design with a classic steel-grey paint.

- Wood Species: Painted
- Face Frame: Solid Wood
- Door Type: Shaker Style [HDF Construction]
- Box Construction: 1/2" Plywood
- Drawer Glide: Undermount Soft Close
- Drawer Head: 5-piece Matching Profile
- Drawer Box: 3/4" Solid Wood Dovetail
- Shelves: 3/4" Adjustable Plywood Shelves
- Door Hinges: Soft Close 6-Way Adjustable Concealed
- Interior/Exterior: Matching Platinum Shaker
- Full Overlay Design

**West Point Grey • WP**


A flat panel door with a decorative edge profile West Point Grey Cabinets are a clean, trendy option that warms any space.

- Wood Species: Solid Maple / Birch
- Face Frame: Solid Wood
- Door Type: Flat Panel w/ Decorative Edge
- Box Construction: 1/2" Plywood
- Drawer Glide: Undermount Soft Close
- Drawer Head: 5-piece Matching Profile
- Drawer Box: 3/4" Solid Wood Dovetail
- Shelves: 3/4" Adjustable Plywood Shelves
- Door Hinges: Soft Close 6-Way Adjustable Concealed
- Interior/Exterior: Matching West Point Grey
- Full Overlay Design

**Aspen White • ASP**


With a clean raised center panel design, our Aspen White collection is ideal for creating an exquisite modern look.

- Wood Species: Painted
- Face Frame: Solid Wood
- Door Type: Raised Panel [HDF Construction]
- Box Construction: 1/2" Plywood
- Drawer Glide: Undermount Soft Close
- Drawer Head: 5-piece Matching Profile
- Drawer Box: 3/4" Solid Wood Dovetail
- Shelves: 3/4" Adjustable Plywood Shelves
- Door Hinges: Soft Close 6-Way Adjustable Concealed
- Interior/Exterior: Matching Aspen White
- Full Overlay Design

**Winchester Grey • WG**

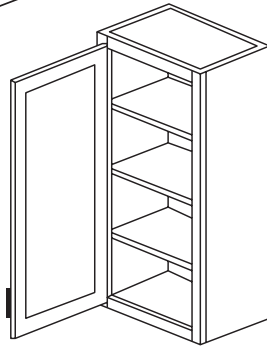
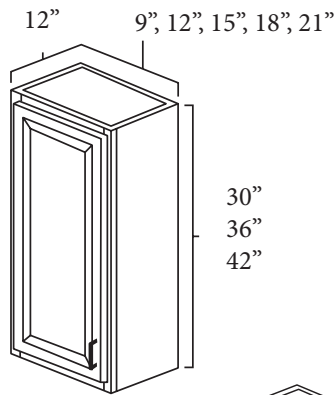

Winchester Grey Cabinets are a clean, trendy option that warms any space. With a flat panel door design and decorative edge, Winchester Grey's soft undertones reflect natural wood grains to give a contemporary feel.

- Wood Species: Solid Maple / Birch
- Face Frame: Solid Wood
- Door Type: Flat Panel w/ Decorative Edge
- Box Construction: 1/2" Plywood
- Drawer Glide: Undermount Soft Close
- Drawer Head: 5-piece Matching Profile
- Drawer Box: 3/4" Solid Wood Dovetail
- Shelves: 3/4" Adjustable Plywood Shelves
- Door Hinges: Soft Close 6-Way Adjustable Concealed
- Cabinet Exterior/Interior: Natural Birch
- Full Overlay Design

## Single Door Wall

### 1 Door Wall Cabinets

W0930	9 x 30	WS•PS•HS•WP•ASP•WG
W0936	9 x 36	WS•PS•HS•WP•ASP•WG
W0942	9 x 42	WS•PS•HS•WP•ASP•WG
W1230	12 x 30	WS•PS•HS•WP•ASP•WG
W1236	12 x 36	WS•PS•HS•WP•ASP•WG
W1242	12 x 42	WS•PS•HS•WP•ASP•WG
W1530	15 x 30	WS•PS•HS•WP•ASP•WG
W1536	15 x 36	WS•PS•HS•WP•ASP•WG
W1542	15 x 42	WS•PS•HS•WP•ASP•WG
W1830	18 x 30	WS•PS•HS•WP•ASP•WG
W1836	18 x 36	WS•PS•HS•WP•ASP•WG
W1842	18 x 42	WS•PS•HS•WP•ASP•WG
W2130	21 x 30	WS•PS•HS•WP•ASP•WG
W2136	21 x 36	WS•PS•HS•WP•ASP•WG
W2142	21 x 42	WS•PS•HS•WP•ASP•WG



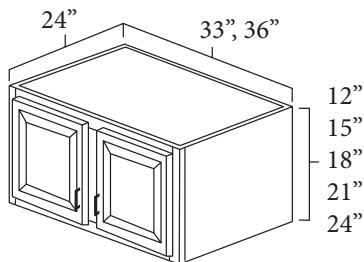
#### Specifications:

- 30" and 36" wall cabinets have two adjustable shelves.
- 42" tall cabinets have three adjustable shelves.
- Doors may be replaced with corresponding glass doors

## Refrigerator Wall

### Refrigerator Wall Cabinets

WR3315	33 x 15	WS•PS•HS•WP•ASP•WG
WR3324	33 x 24	WS•PS•HS•WP•ASP•WG
WR3612	36 x 12	WS•PS•HS•WP•ASP•WG
WR3615	36 x 15	WS•PS•HS•WP•ASP•WG
WR3618	36 x 18	WS•PS•HS•WP•ASP•WG
WR3621	36 x 21	WS•PS•HS•WP•ASP•WG
WR3624	36 x 24	WS•PS•HS•WP•ASP•WG



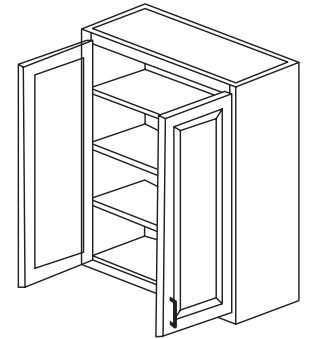
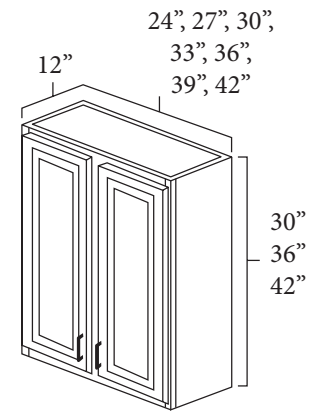
#### Specifications:

- 24" tall cabinets have one adjustable shelf.
- 33" wide cabinets are available only in 15" and 24" height.
- Butt doors are standard.

## Double Door Wall

### 2 Door Wall Cabinets

W2430	24 x 30	WS•PS•HS•WP•ASP•WG
W2436	24 x 36	WS•PS•HS•WP•ASP•WG
W2442	24 x 42	WS•PS•HS•WP•ASP•WG
W2730	27 x 30	WS•PS•HS•WP•ASP•WG
W2736	27 x 36	WS•PS•HS•WP•ASP•WG
W2742	27 x 42	WS•PS•HS•WP•ASP•WG
W3030	30 x 30	WS•PS•HS•WP•ASP•WG
W3036	30 x 36	WS•PS•HS•WP•ASP•WG
W3042	30 x 42	WS•PS•HS•WP•ASP•WG
W3330	33 x 30	WS•PS•HS•WP•ASP•WG
W3336	33 x 36	WS•PS•HS•WP•ASP•WG
W3342	33 x 42	WS•PS•HS•WP•ASP•WG
W3630	36 x 30	WS•PS•HS•WP•ASP•WG
W3636	36 x 36	WS•PS•HS•WP•ASP•WG
W3642	36 x 42	WS•PS•HS•WP•ASP•WG
W3930	39 x 30	WS•PS•HS•WP•ASP•WG
W3936	39 x 36	WS•PS•HS•WP•ASP•WG
W3942	39 x 42	WS•PS•HS•WP•ASP•WG
W4230	42 x 30	WS•PS•HS•WP•ASP•WG
W4236	42 x 36	WS•PS•HS•WP•ASP•WG
W4242	42 x 42	WS•PS•HS•WP•ASP•WG



#### Specifications:

- 30" and 36" wall cabinets have two adjustable shelves.
- 42" tall cabinets have three adjustable shelves.
- Butt doors on cabinets 24" - 36" wide.
- Doors may be replaced with corresponding set of double glass doors (see page 15).

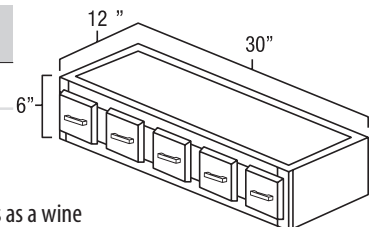
## Spice Drawers Wall

### Spice Drawer Wall Cab

WSC30	6 x 30	WS•PS•HS•WP•ASP•WG
-------	--------	--------------------

#### Specifications:

- Finished Interior.
- Can be used without the drawers as a wine rack.





## Diagonal Corner Wall

### Diagonal Corner Wall Cabinets

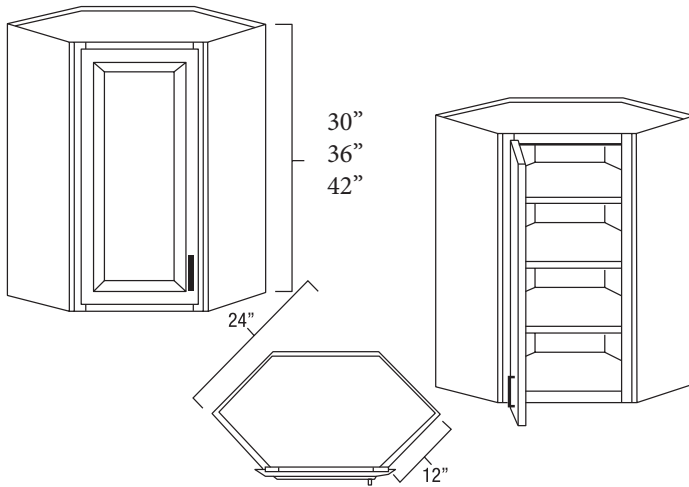
WDC2430 24x30 WS•PS•HS•WP•ASP•WG

WDC2436 24x36 WS•PS•HS•WP•ASP•WG

WDC2442 24x42 WS•PS•HS•WP•ASP•WG

#### Specifications:

- 30" and 36" tall have 2 adjustable shelves.
- 42" tall have 3 adjustable shelves.
- Door may be replaced with corresponding diagonal glass door (see page 15).



## Bridge Wall

### Bridge Wall Cabinets

W3012 30 x 12 WS•PS•HS•WP•ASP•WG

W3312 33 x 12 WS•PS•HS•WP•ASP•WG

W3612 36 x 12 WS•PS•HS•WP•ASP•WG

W3015 30 x 15 WS•PS•HS•WP•ASP•WG

W3315 33 x 15 WS•PS•HS•WP•ASP•WG

W3615 36 x 15 WS•PS•HS•WP•ASP•WG

W3018 30 x 18 WS•PS•HS•WP•ASP•WG

W3318 33 x 18 WS•PS•HS•WP•ASP•WG

W3618 36 x 18 WS•PS•HS•WP•ASP•WG

W3021 30 x 21 WS•PS•HS•WP•ASP•WG

W3321 33 x 21 WS•PS•HS•WP•ASP•WG

W3621 36 x 21 WS•PS•HS•WP•ASP•WG

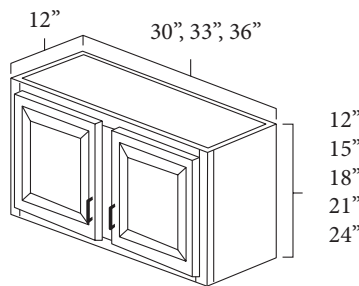
W3024 30 x 24 WS•PS•HS•WP•ASP•WG

W3324 33 x 24 WS•PS•HS•WP•ASP•WG

W3624 36 x 24 WS•PS•HS•WP•ASP•WG

#### Specifications:

- 24" tall have 1 adjustable shelf.
- The remaining heights have no shelves.



## Double Decorative Stacker Wall (with plain glass)

### Double Dec Stacker

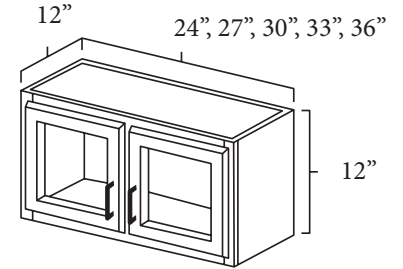
W2412PG 24x12 WS•PS•WP•ASP•WG

W2712PG 27x12 WS•PS•WP•ASP•WG

W3012PG 30x12 WS•PS•WP•ASP•WG

W3312PG 33x12 WS•PS•WP•ASP•WG

W3612PG 36x12 WS•PS•WP•ASP•WG



## Single Decorative Stacker Wall (with plain glass)

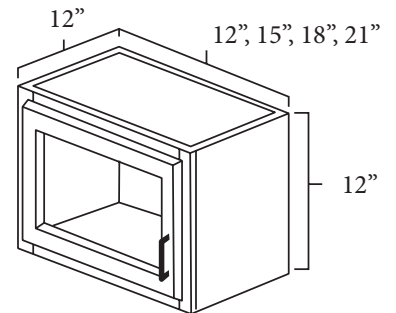
### Single Dec Stacker

W1212PG 12x12 WS•PS•WP•ASP•WG

W1512PG 15x12 WS•PS•WP•ASP•WG

W1812PG 18x12 WS•PS•WP•ASP•WG

W2112PG 21x12 WS•PS•WP•ASP•WG



## Microwave Wall

### Microwave Wall Cab

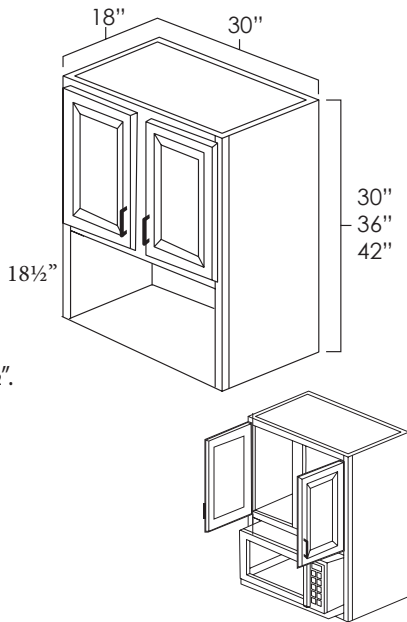
MW3030 30x30 WS•PS•HS•WP•ASP•WG

MW3036 30x36 WS•PS•HS•WP•ASP•WG

MW3042 30x42 WS•PS•HS•WP•ASP•WG

#### Specifications:

- Designed for "counter" style microwaves.
- Opening width is 26-7/8" x 18-1/2".
- Butt doors on all microwave cabinets.



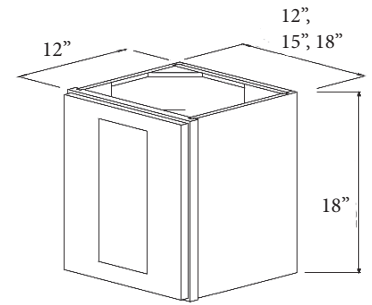
## Single Door Wall

### 18" High Single Door

W1218 12x12x18 WS•PS•HS•WP•WG

W1518 15x12x18 WS•PS•HS•WP•WG

W1818 18x12x18 WS•PS•HS•WP•WG

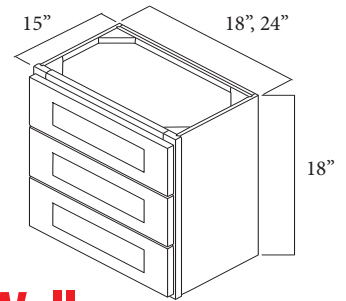


## 3 Drawer Wall

### Wall 3 Drawer

W3DR18 18" WS•PS•HS•WP•WG

W3DR24 24" WS•PS•HS•WP•WG



## Blind Corner Wall

### Blind Corner Wall Cabinets

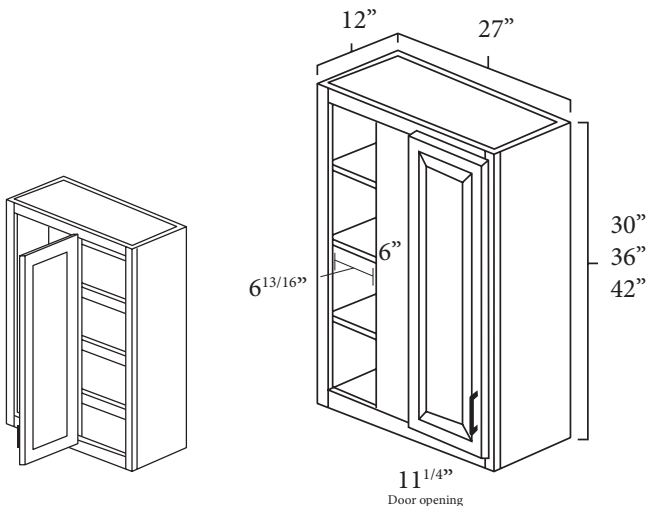
WBC2730 27x30 WS•PS•HS•WP•ASP•WG

WBC2736 27x36 WS•PS•HS•WP•ASP•WG

WBC2742 27x42 WS•PS•HS•WP•ASP•WG

#### Specifications:

- 30" and 36" tall have 2 adjustable shelves.
- 42" tall have 3 adjustable shelves.
- Can be pulled to a max of 3" to make it cover 30"
- 6 13/16" blind opening
- 13 3/4" door width



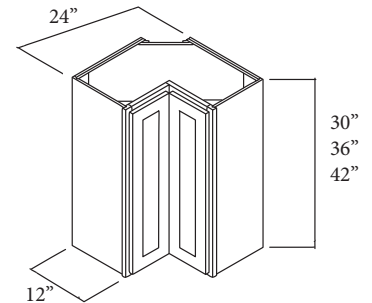
## Easy Reach Wall

### Wall Easy Reach

WER2430 24x30 WS•PS•HS•WP•WG

WER2436 24x36 WS•PS•HS•WP•WG

WER2442 24x42 WS•PS•HS•WP•WG



## Angled End Wall

### Angled End Wall Cab

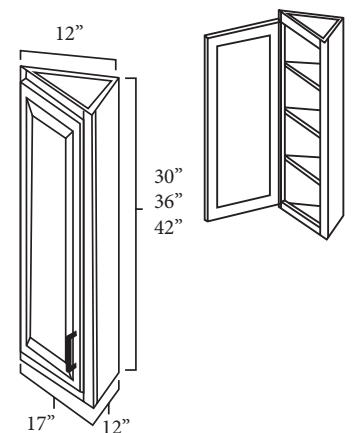
WCA1230 12x30 WS•PS•HS•WP•ASP•WG

WCA1236 12x36 WS•PS•HS•WP•ASP•WG

WCA1242 12x42 WS•PS•HS•WP•ASP•WG

#### Specifications:

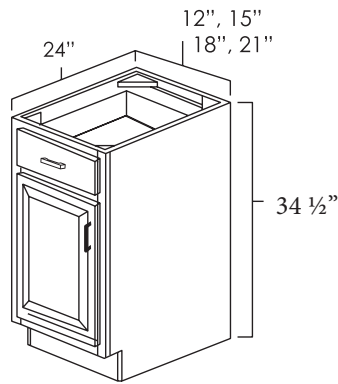
- 30" and 36" wall cabinets have two adjustable shelves.
- 42" wall cabinets have three adjustable shelves.



## Single Drawer & Door Base

### Single Drawer & Door

B12	12"	WS•PS•HS•WP•ASP•WG
B15	15"	WS•PS•HS•WP•ASP•WG
B18	18"	WS•PS•HS•WP•ASP•WG
B21	21"	WS•PS•HS•WP•ASP•WG



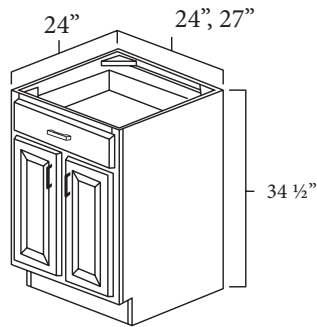
#### Specifications:

- 1/2 depth adjustable shelf.

## Double Doors & Single Drawer Base

### Double Drawer Single Door

B24	24"	WS•PS•HS•WP•ASP•WG
B27	27"	WS•PS•HS•WP•ASP•WG



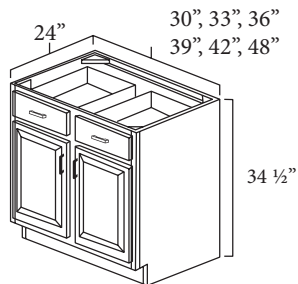
#### Specifications:

- 1/2 depth adjustable shelf.
- Butt doors on both 24" and 27" wide bases.

## Double Drawers & Doors Base

### Double Drawer & Door

B30	30"	WS•PS•HS•WP•ASP•WG
B33	33"	WS•PS•HS•WP•ASP•WG
B36	36"	WS•PS•HS•WP•ASP•WG
B39	39"	WS•PS•HS•WP•ASP•WG
B42	42"	WS•PS•HS•WP•ASP•WG
B48	48"	WS•PS•HS•WP•ASP•WG



#### Specifications:

- 1/2 depth adjustable shelf.
- Butt doors on 30" through 36" wide bases.

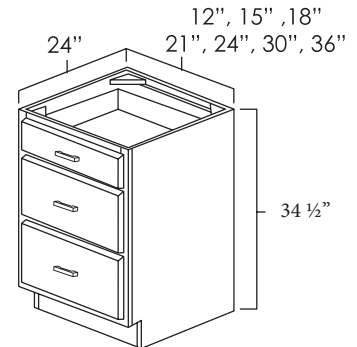
## Drawer Base

### Drawer Base Cabinets

DB12	12"	WS•PS•HS•WP•ASP•WG
DB15	15"	WS•PS•HS•WP•ASP•WG
DB18	18"	WS•PS•HS•WP•ASP•WG
DB21	21"	WS•PS•HS•WP•ASP•WG
DB24	24"	WS•PS•HS•WP•ASP•WG
DB30	30"	WS•PS•HS•WP•ASP•WG
DB36	36"	WS•PS•HS•WP•ASP•WG

#### Specifications:

- One standard drawer on top and two deep drawers below.



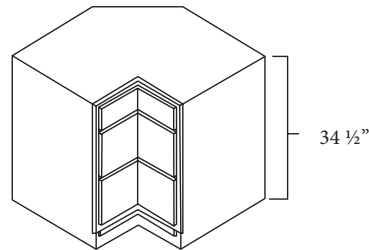
## Corner Drawer Base

### Corner Drawer Base

CDB36	36"	WS•PS•HS•WP•ASP•WG
-------	-----	--------------------

#### Specifications:

- This cabinet has three fully functioning, full extension drawers.
- One standard drawer on top and two deep drawers below.

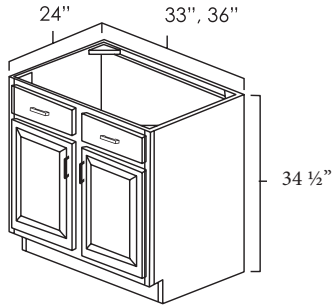


## Sink Base

### Sink Base Cabinet

SB33 33" WS•PS•HS•WP•ASP•WG

SB36 36" WS•PS•HS•WP•ASP•WG



#### Specifications:

- For additional sizes use Standard Base cabinet (page 8).
- For additional sizes specify to be used as a Sink Base.

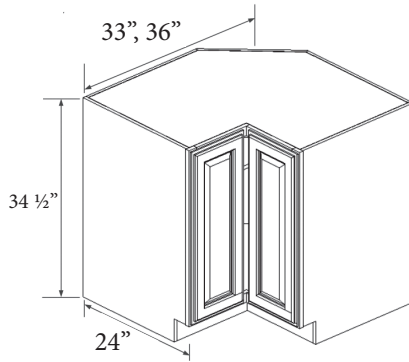


## Easy Reach Base

### Easy Reach Base Cabinet

BER33 33" WS•PS•HS•WP•WG

BER36 36" WS•PS•HS•WP•WG



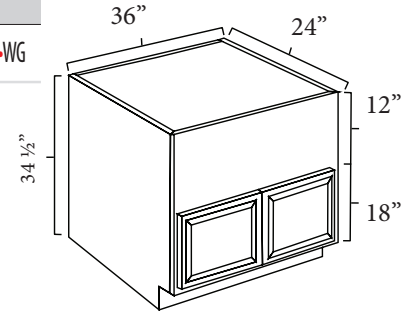
## Farm Sink Base

### Farm Sink Base

FSB36 36" WS•PS•HS•WP•ASP•WG

#### Specifications:

- 18" high cabinet doors.
- There are no shelves or drawers.



## 2 Drawer Base

### 2 Drawer Base Cabinets

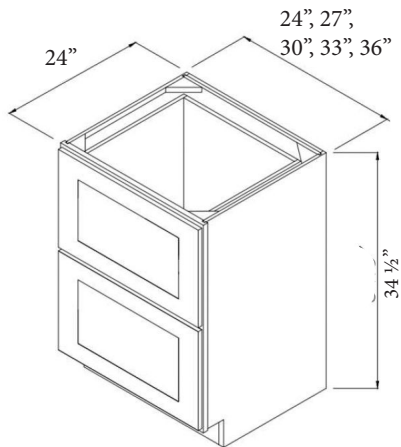
2DB24 24" WS•PS•HS•WP•WG

2DB27 27" WS•PS•HS•WP•WG

2DB30 30" WS•PS•HS•WP•WG

2DB33 33" WS•PS•HS•WP•WG

2DB36 36" WS•PS•HS•WP•WG



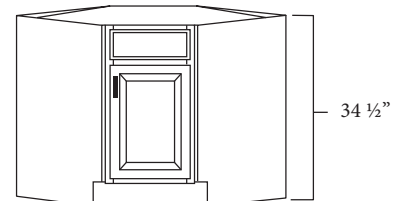
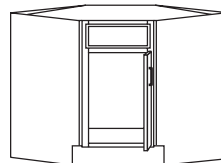
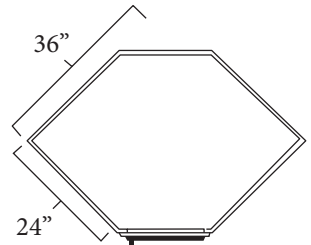
## Diagonal Corner Sink Base

### Diagonal Corner Sink

DCSB36 36" WS•PS•HS•WP•ASP•WG

#### Specifications:

- There are no shelves or drawers in this cabinet.



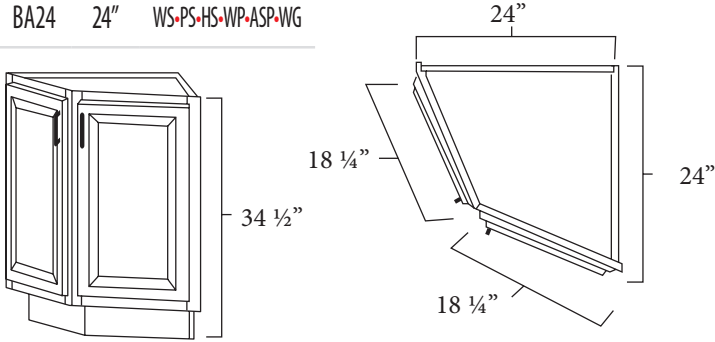
## Angled End Base

### Angled End Base

BA24 24" WS•PS•HS•WP•ASP•WG

#### Specifications:

- One adjustable shelf.



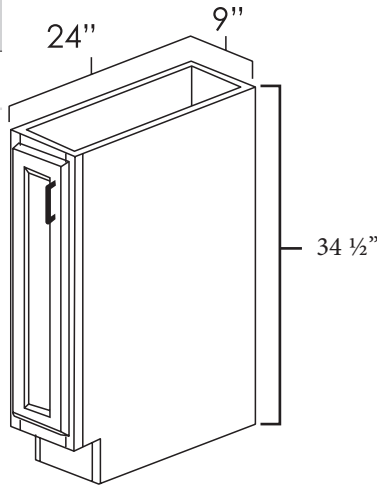
## Full Height/Tray Base

### Full Height Tray Base

TB09 9" WS•PS•HS•WP•ASP•WG

#### Specifications:

- There are no shelves in this cabinet or top drawer.
- Good for trays & cookie sheets.



## Blind Corner Base

### Blind Corner Base

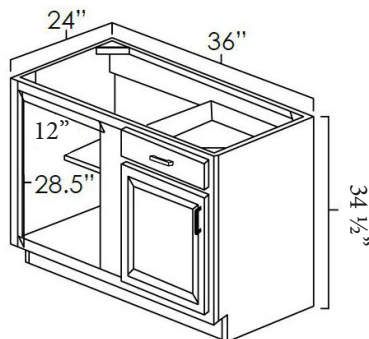
Width Door Opening Center Stile Full Door Width Pull Min. Pull Max.

BBC36	36"	12"	9"	14 9/16"	4"	6"
-------	-----	-----	----	----------	----	----

WS•PS•HS•WP•ASP•WG

#### Specifications:

- Cannot pull farther than 9".
- 14 9/16" door overlay.
- Used as a right (R) or left (L) blind.
- Pulled a minimum of 4".



## Microwave Base

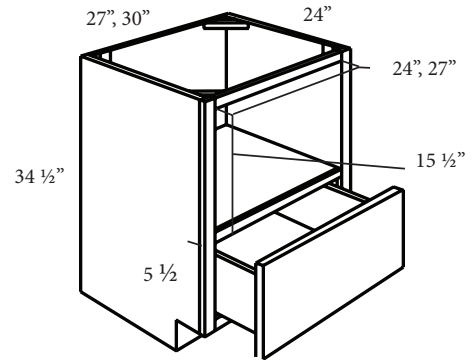
### Microwave Base

BMC27 27" WS•PS•HS•WP•ASP•WG

BMC30 30" WS•PS•HS•WP•ASP•WG

#### Specifications:

- 1 Soft-close drawer.



## Lazy Susan Corner Base

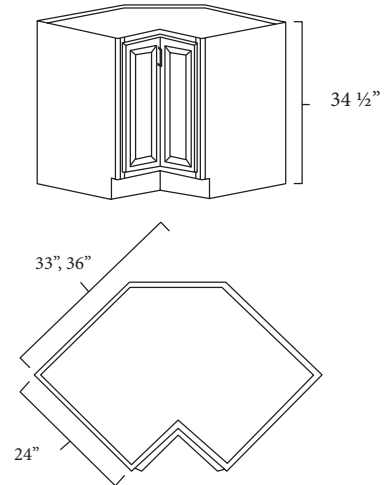
### Lazy Susan Corner

LS3312 33" WS•PS•HS•WP•ASP•WG

LS3612 36" WS•PS•HS•WP•ASP•WG

#### Specifications:

- Two stainless steel, height adjustable baskets are standard.
- Doors may be mounted to open right or left.



## Spice Rack Base

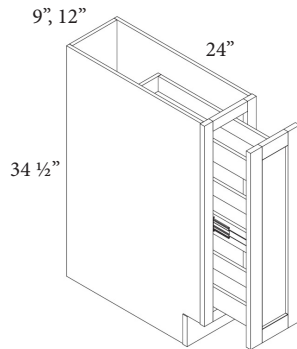
### Base Spice Rack

BSR9 9" WS•PS•HS•WP•WG

BSR12 12" WS•PS•HS•WP•WG

#### Specifications:

- Pull out spice rack



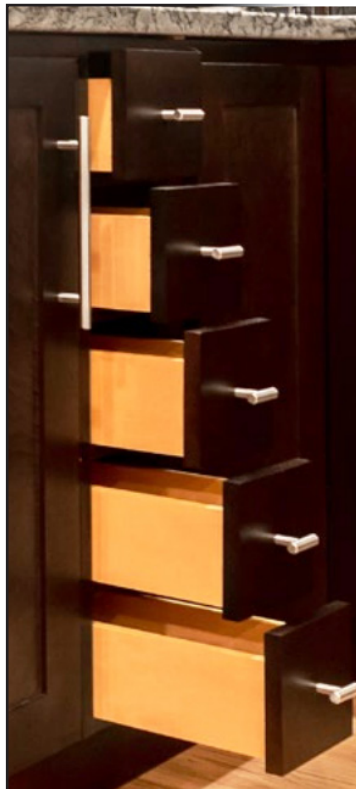
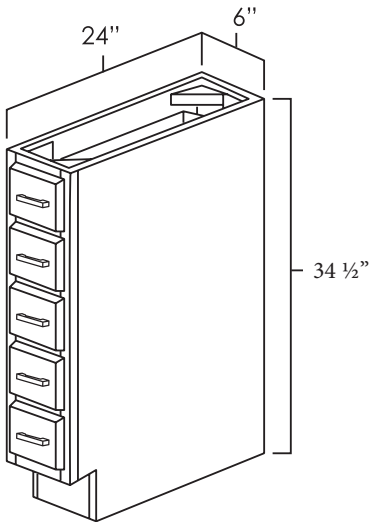
## Spice Drawer Base

### Spice Drawer Base

BSD6 6" WS•PS•HS•WP•ASP•WG

#### Specifications:

- This cabinet does not come with drawer slides.
- The cabinet can be used without the drawers as a wine rack.



## 18" Wide Utility

### 18" Wide Utility

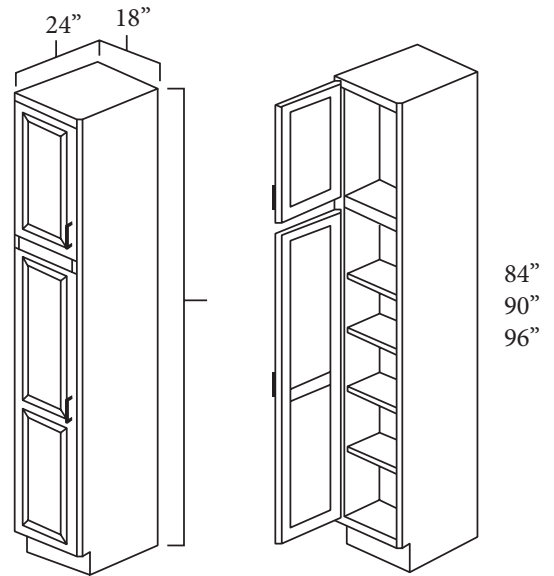
UC1884 18 x 84 WS•PS•HS•WP•ASP•WG

UC1890 18 x 90 WS•PS•HS•WP•ASP•WG

UC1896 18 x 96 WS•PS•HS•WP•ASP•WG

#### Specifications:

- Includes 4 adjustable shelves.
- Bottom section is 54" tall.
- Toe kick attached to all heights.
- For Roll Out Tray accessories see page 13.



## Universal Oven Utility

### Universal Oven Cab

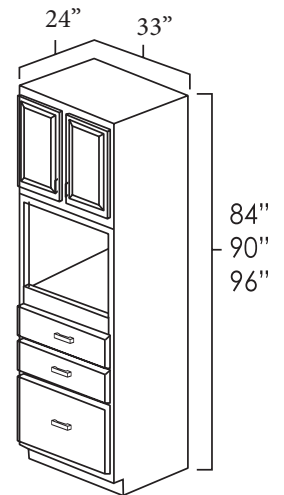
UOC3384 33 x 84 WS•PS•HS•WP•ASP•WG

UOC3390 33 x 90 WS•PS•HS•WP•ASP•WG

UOC3396 33 x 96 WS•PS•HS•WP•ASP•WG

#### Specifications:

- The cut out opening measures 28 1/2" x 22".
- Can be arranged as a single oven, double oven, or oven/microwave combination by removing the necessary drawers.



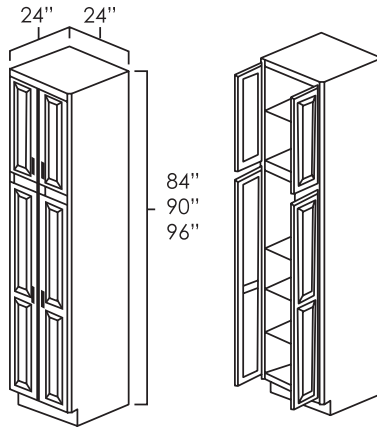
## 24" Utility

### 24" Wide Utility

UC2484	24 x 84	WS•PS•HS•WP•ASP•WG
UC2490	24 x 90	WS•PS•HS•WP•ASP•WG
UC2496	24 x 96	WS•PS•HS•WP•ASP•WG

#### Specifications:

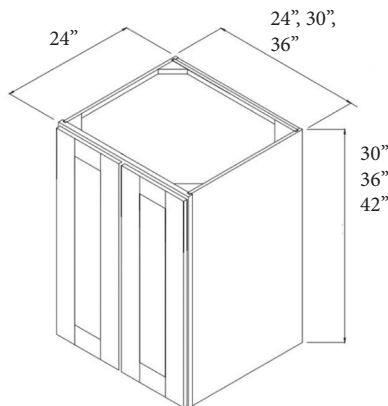
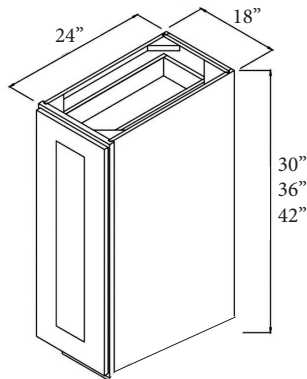
- For Roll Out Tray accessories see page 13.



## Split Pantry Wall Utility

### Pantry Wall

W183024	18 x 30	WS•PS•HS•WP•WG
W183624	18 x 36	WS•PS•HS•WP•WG
W184224	18 x 42	WS•PS•HS•WP•WG
W243024	24 x 30	WS•PS•HS•WP•WG
W243624	24 x 36	WS•PS•HS•WP•WG
W244224	24 x 42	WS•PS•HS•WP•WG
W303024	30w x 30	WS•PS•HS•WP•WG
W303624	30 x 36	WS•PS•HS•WP•WG
W304224	30 x 42	WS•PS•HS•WP•WG
W363024	36 x 30	WS•PS•HS•WP•WG
W363624	36 x 36	WS•PS•HS•WP•WG
W364224	36 x 42	WS•PS•HS•WP•WG



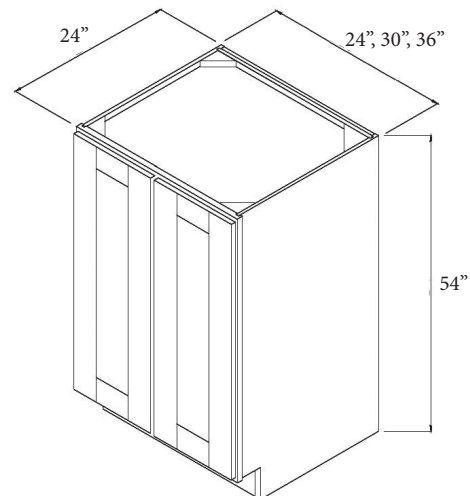
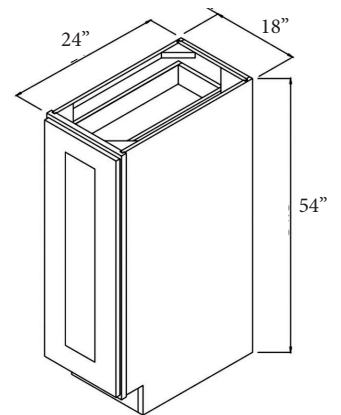
#### Specifications:

- Both Wall and Base 18" Split Pantries are single door.
- All other sizes are double door.

## Split Pantry Base Utility

### Pantry Base

UCB1854	18 x 54	WS•PS•HS•WP•WG
UCB2454	24 x 54	WS•PS•HS•WP•WG
UCB3054	30 x 54	WS•PS•HS•WP•WG
UCB3654	36 x 54	WS•PS•HS•WP•WG



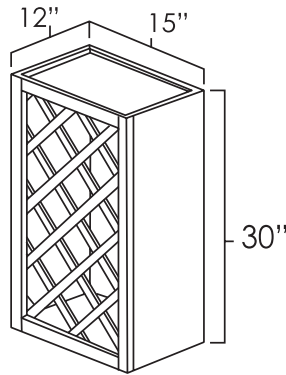
## Lattice Wine Rack Accessories

### Lattice Wine Rack

LWR3015 30x15 WS•PS•HS•WP•ASP•WG

#### Specifications:

- Holds 11 bottles.
- Can install horizontally or vertically.
- Will hold 3- $\frac{3}{4}$ " diameter bottles.



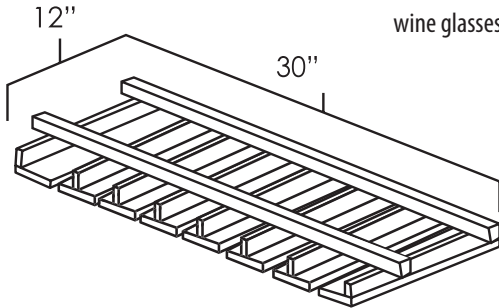
## Stem Glass Holders Accessories

### Stem Glass Holder

SGH 12x30 WS•PS•HS•WP•ASP•WG

#### Specifications:

- Solid wood.
- Mounts to bottom of wall cabinet.
- Can be cut to fit smaller cabinets.
- Fitted to mount under any 30" wide standard, stacker, or bridge wall cabinet.
- Holds 6 rows of glasses (18 standard size wine glasses)



## Roll Out Trays Accessories

### Roll Out Trays

ROT15 15"

ROT18 18"

ROT21 21"

ROT24 24"

ROT27 27"

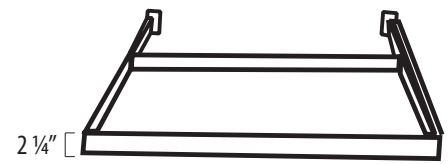
ROT30 30"

ROT33 33"

ROT36 36"

#### Specifications:

- Drawer glide hardware and wood finish for ROT are the same as the standard drawers in their corresponding cabinet line.
- May be used in any 24" deep cabinet (Base, Refrigerator Wall, Pantries).
- Undermount Drawer Glides, softclose.
- Depth is 1  $\frac{3}{8}$ "



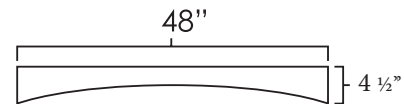
## Arched Valance Accessories

### Arched Valances

VA48 48" WS•PS•HS•WP•ASP•WG

#### Specifications:

- Can be trimmed down to needed size.



## Finished Floating Shelf Accessories

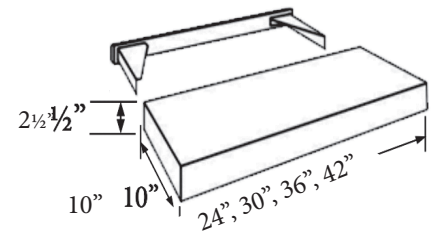
### Finished Floating Shelf

FFS24 24" WS•PS•HS•WP•WG

FFS30 30" WS•PS•HS•WP•WG

FFS36 36" WS•PS•HS•WP•WG

FFS42 42" WS•PS•HS•WP•WG





## Range Hood Fronts **Accessories** Corbels **Accessories**

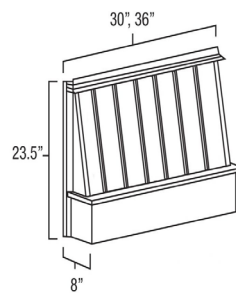
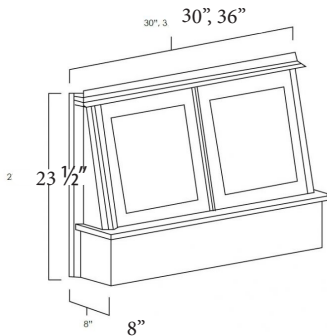
### Range Hood Front

RHF30 30" WS•PS•HS•WP•ASP•WG

RHF36 36" WS•PS•HS•WP•ASP•WG

#### Specifications:

- Must be installed between two cabinets for support.
- Before installation of the RHF occurs, the blower should be installed and the depth adjusted using fillers and/or panels to fit the blower.



Winchester Grey Range Hood

## Knee Drawer **Accessories**

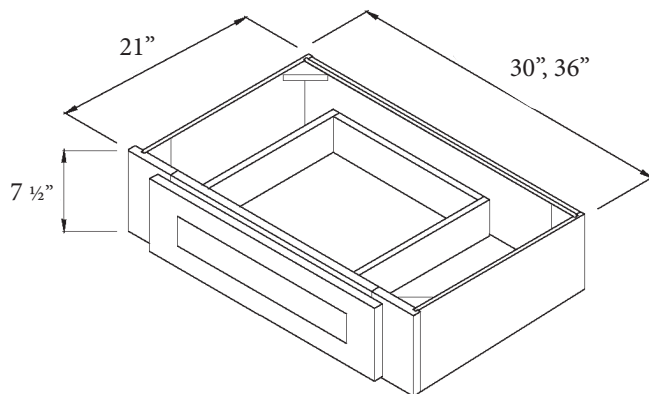
### Under Counter Knee Drawer

UCD30 30" WS•PS•HS•WP•ASP•WG

UCD36 36" WS•PS•HS•WP•ASP•WG

#### Specifications:

- Drawer unit designed to be installed under counter to create a desk area.
- Drawers can be installed beside either vanity cabinets (21" depth) or standard base cabinets (24" depth).



### Corbels

CBLPN2 Small WS•PS•HS•WP•ASP•WG

CBLPN3 Large WS•PS•HS•WP•ASP•WG

#### Specifications:

- Available in 2 size options



#### Small

Width: 4 3/4"

Depth: 5"

Height: 9 1/2"



#### Large

Width: 6 1/4"

Depth: 6 1/2"

Height: 13 1/4"

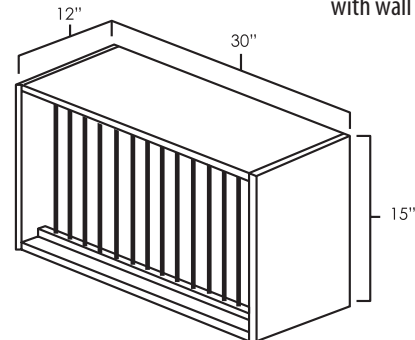
## Plate Rack **Accessories**

### Plate Rack

PR3015 30x15 WS•PS•HS•WP•ASP•WG

#### Specifications:

- Can hold 10 plates.
- Plate rack may also be used with wall cabinets.



## Single Glass Diagonal Doors Mullion & Plain Accessories

### Single Glass Diagonal

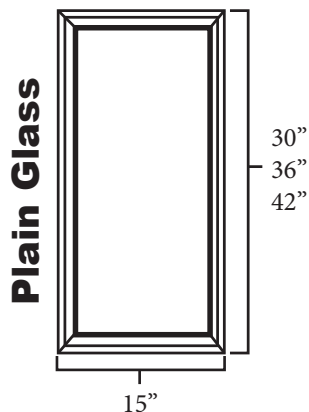
PGWDC30 30" WS•PS•HS•WP•ASP•WG

PGWDC36 36" WS•PS•HS•WP•ASP•WG

PGWDC42 42" WS•PS•HS•WP•ASP•WG

#### Specifications:

- Fits WDC cabinet 30, 36, 42 heights



## Plain Glass Doors Accessories

### Plain Glass Door

PG1530 15x30 WS•PS•HS•WP•WG

PG1536 15x36 WS•PS•HS•WP•WG

PG1542 15x42 WS•PS•HS•WP•WG

PG1830 18x30 WS•PS•HS•WP•WG

PG1836 18x36 WS•PS•HS•WP•WG

PG1842 18x42 WS•PS•HS•WP•WG

PG2130 21x30 WS•PS•HS•WP•WG

PG2136 21x36 WS•PS•HS•WP•WG

PG2142 21x42 WS•PS•HS•WP•WG

### Set Plain Double Glass

PG2430 24x30 WS•PS•HS•WP•WG

PG2436 24x36 WS•PS•HS•WP•WG

PG2442 24x42 WS•PS•HS•WP•WG

PG3030 30x30 WS•PS•HS•WP•WG

PG3036 30x36 WS•PS•HS•WP•WG

PG3042 30x42 WS•PS•HS•WP•WG

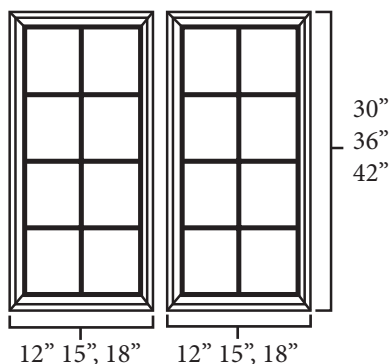
PG3630 36x30 WS•PS•HS•WP•WG

PG3636 36x36 WS•PS•HS•WP•WG

PG3642 36x42 WS•PS•HS•WP•WG

#### Specifications:

- The information following in the sku indicate the size / type of cabinet the door will fit.  
EX: PG2442 fits a W2442.
- Single cabinet doors from PG1530 to PG2142
- PG2430 to PG3642 are double sets of cabinet doors



## Single Glass Doors Accessories

### Mullion Single Glass Door

MD1530 15 x 30 WS•PS

MD1830 18 x 30 WS•PS

MD2130 21 x 30 WS•PS

MD1536 15 x 36 WS•PS

MD1836 18 x 36 WS•PS

MD2136 21 x 36 WS•PS

MD1542 15 x 42 WS•PS

MD1842 18 x 36 WS•PS

MD2142 21 x 42 WS•PS

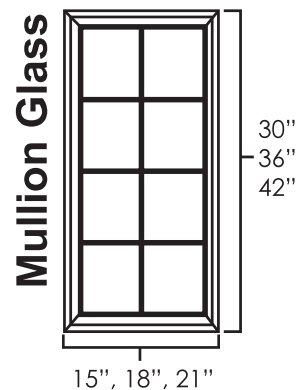
MDWDC30 30" WS•PS

MDWDC36 36" WS•PS

MDWDC42 42" WS•PS

#### Specifications:

- The information following MD in the sku indicate the size / type of cabinet the door will fit.  
EX: MD2442 fits a W2442.  
EX: MDWDC36 fits a WDC2436.
- 30" and 36" high cabinets will have 6 panes while 42" high cabinets have 8.



## Double Glass Doors Accessories

### Mullion Glass Door

MD2430 24"x30" WS•PS

MD2436 24"x36" WS•PS

MD2442 24"x42" WS•PS

MD3030 30"x30" WS•PS

MD3036 30"x36" WS•PS

MD3042 30"x42" WS•PS

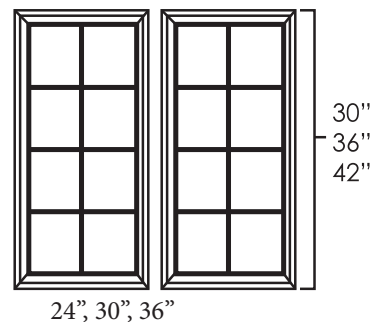
MD3630 36"x30" WS•PS

MD3636 36"x36" WS•PS

MD3642 36"x42" WS•PS

#### Specifications:

- The information following MD in the sku indicate the size / type
- 30" and 36" high cabinets have 6 panes, 42" high cabinets have 8.
- Come in set of 2



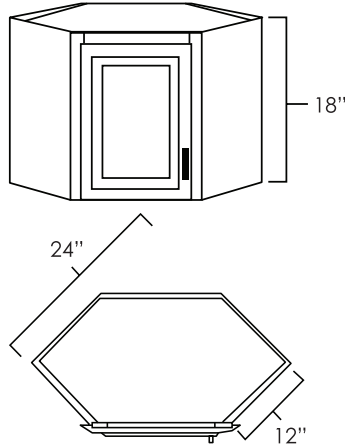
## Appliance Garage Accessories

### Appliance Garage

AG2418 24 x 18 WS•PS•HS•WP•ASP•WG

#### Specifications:

- Designed for installation on countertop.
- Fits directly below a wall diagonal corner cabinet.
- There are no shelves.

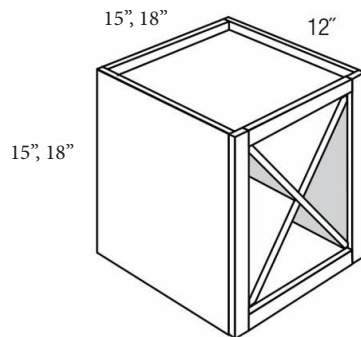


## Wine Storage Cube Accessories

### Wine Storage Cube

WSC1515 15" WS•PS•HS•WP•WG

WSC1818 18" WS•PS•HS•WP•WG



## Drawer Base Vanity

### Vanity Drawer Base

VDB1221 12" WS•PS•HS•WP•ASP•WG

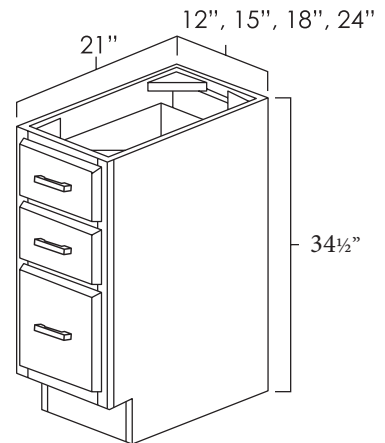
VDB1521 15" WS•PS•HS•WP•ASP•WG

VDB1821 18" WS•PS•HS•WP•ASP•WG

VDB2421 24" WS•PS•HS•WP•ASP•WG

#### Specifications:

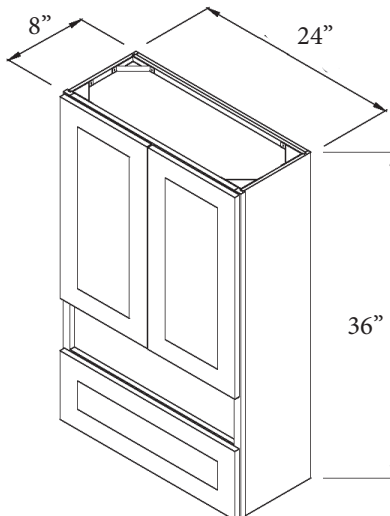
- Depth: 21".
- All styles have one standard drawer on top and two drawers below.
- All three drawers are fully functioning.



## Toilet Topper Accessories

### Toilet Topper

TT2436 24 x 36 WS•PS•HS•WP•WG



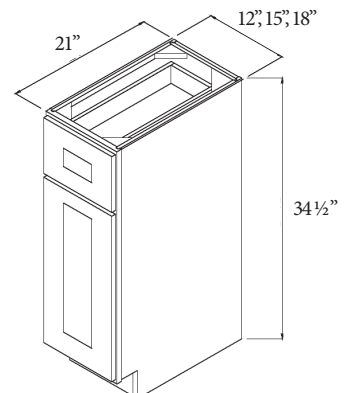
## Base Vanity

### Vanity Base

VB12 12" WS•PS•HS•WP•WG

VB15 15" WS•PS•HS•WP•WG

VB18 18" WS•PS•HS•WP•WG



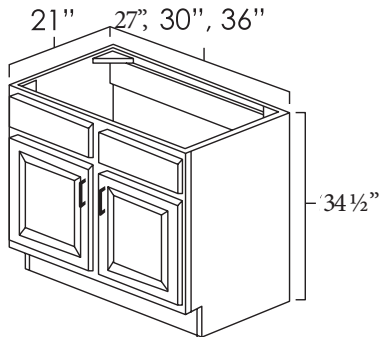
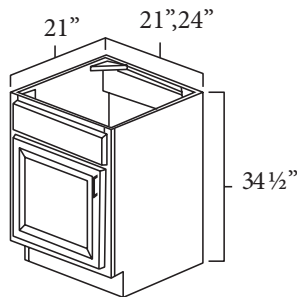
## Sink Base Vanity

### Sink Base Vanity

V2121	21 x 21	WS•PS•HS•WP•ASP•WG
V2421	24 x 21	WS•PS•HS•WP•ASP•WG
V2721	27 x 21	WS•PS•HS•WP•ASP•WG
V3021	30 x 21	WS•PS•HS•WP•ASP•WG
V3621	36 x 21	WS•PS•HS•WP•ASP•WG

### Specifications:

- There are no shelves or drawers in these cabinets
- Butt doors on all three vanity sink bases
- Depth: 21"



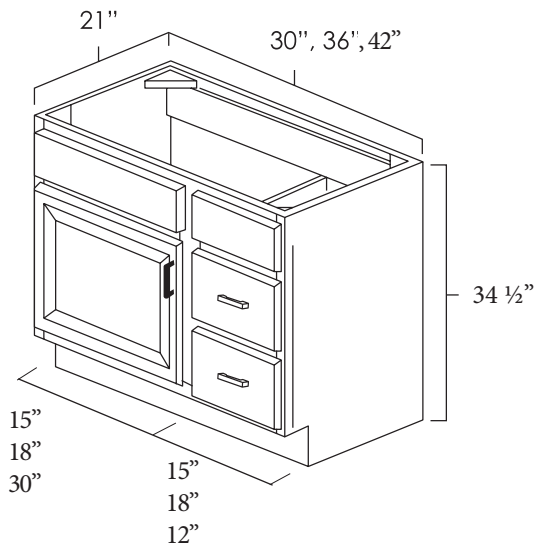
## Single Door Vanity

### Single Door Vanity

V3021DL	30 x 21 left	WS•PS•HS•WP•ASP
V3021DR	30 x 21 right	WS•PS•HS•WP•ASP
V3621DL	36 x 21 left	WS•PS•HS•WP•ASP
V3621DR	36 x 21 right	WS•PS•HS•WP•ASP
V4221DL	42 x 21 left	WS•PS•HS•WP•ASP
V4221DR	42 x 21 right	WS•PS•HS•WP•ASP

### Specifications:

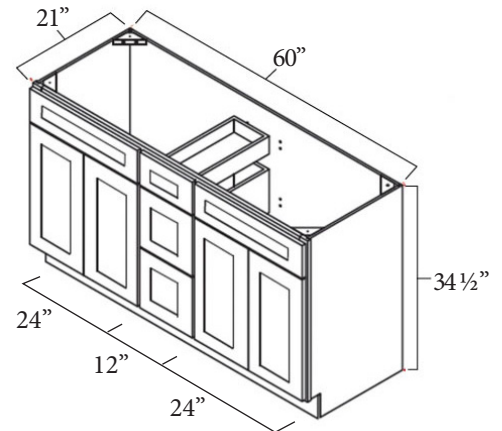
- Depth: 21"
- There are no shelves in these cabinets.
- Only the bottom two drawers are functioning.
- All styles have one standard false drawer front on top and two deep drawers below.
- WHEN INDICATING RIGHT (R) or LEFT (L), IT CORRESPONDS TO THE SIDE THE DRAWERS ARE ON WHILE LOOKING AT IT



## Double Sink Vanity

### Double Sink Vanity

VSDB60	60 x 21	WS•PS•HS•WP•ASP•WG
--------	---------	--------------------



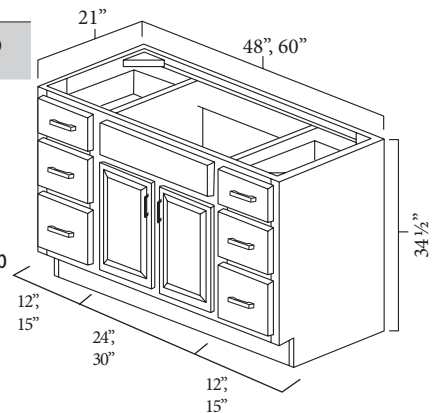
## Double Door Vanity

### Double Door Vanity

V4821DD	48 x 21	WS•PS•HS•WP•ASP
V6021DD	60 x 21	WS•PS•HS•WP•ASP

### Specifications:

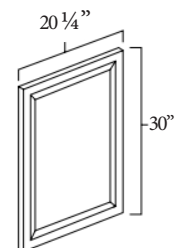
- Depth: 21"
- There are no shelves.
- All styles have two standard drawers on top and four deep drawers below.
- Butt doors on both vanity combinations.



## Matching End Panel Vanity

### Vanity Base

MVEPBH	30 x 20	WS•PS•HS•WP•WG
--------	---------	----------------



## Wall End Panels

### Wall End Panels

WEP1542 15 x 42 WS•PS•HS•WP•ASP•WG

#### Specifications:

- 1/2" thick panel with a 3" wide wall filler on the front.
- Can be trimmed to desired height and/or width.
- May be used left or right.

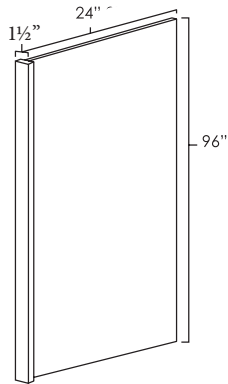
## Refrigerator End Panels

### Refrigerator End Panels

REP9624 96 x 24 WS•PS•HS•WP•ASP•WG

#### Specifications:

- 1/2" thick panel 1 1/2" filler.
- Trimmed to height/width.
- May be used left or right.



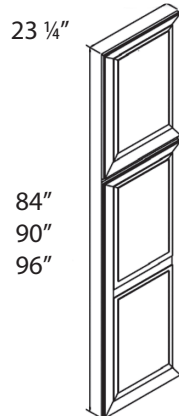
## Matching Tall End Panels

### Matching Tall End Panels

MTEP84 23 1/4 x 84 WS•PS•HS•WP•WG

MTEP90 23 1/4 x 90 WS•PS•HS•WP•WG

MTEP96 23 1/4 x 96 WS•PS•HS•WP•WG



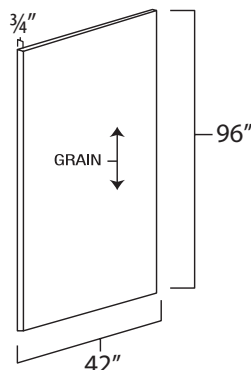
## Plywood Edge Banded Panels

### Edge Banded Panels

PLYEB42 42 x 96 WS•PS•HS•WP•WG

#### Specifications:

- Can be used as refrigerator end panels.
- Edgebanded



## Base Veneer Skin & End Panels

### Base End & Veneer Skin

BS2435 24 x 34 1/2 HS•WG

BEP3 24 x 34 1/2 WS•PS•HS•WP•ASP•WG

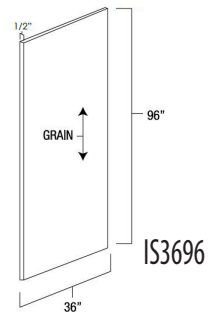
#### Specifications:

- BEP3 is 1/2" thick panel with a 3" wide base filler on the front.
- May be used left or right.
- BS2435 is 3/16" thick.

## Island Panels

### Island Panels

IS3696 36 x 96 WS•PS•HS•WP•ASP•WG



## Decorative End Panels

### Decorative End Panels

DP1230 12 x 30 WS•PS•HS•WP•ASP•WG

DP1236 12 x 36 WS•PS•HS•WP•ASP•WG

DP1242 12 x 42 WS•PS•HS•WP•ASP•WG

DP2430 24 x 30 WS•PS•HS•WP•ASP•WG

## Bead Board Panels

### Bead Board Panels

BBFBP4896 48 x 96 WS•PS•HS•WP

## Tall Fillers

### Tall Section Filler

WFF696 6 x 96 WS•PS•HS•WP•ASP•WG

## Base Fillers

### Base Fillers

BF3 3 x 34 1/2 WS•PS•HS•WP•ASP•WG

BF6 6 x 34 1/2 WS•PS•HS•WP•ASP•WG

TF396 3 x 96 WS•PS•HS•WP•ASP•WG

## Fluted Base Fillers

### Fluted base Fillers

BFF3 3 x 34 1/2 WS•PS•HS•WP•ASP•WG

BFF6 6 x 34 1/2 WS•PS•HS•WP•ASP•WG

## Wall Fillers

### Wall Fillers

WF342 3 x 42 WS•PS•HS•WP•ASP•WG

WF642 6 x 42 WS•PS•HS•WP•ASP•WG

WF396 3 x 96 WS•PS•HS•WP•ASP•WG

## Fluted Wall Fillers

### Fluted Wall Fillers

WFF342 3 x 42 WS•PS•HS•WP•ASP•WG

WFF642 6 x 42 WS•PS•HS•WP•ASP•WG

WFF396 3 x 96 WS•PS•HS•WP•ASP•WG

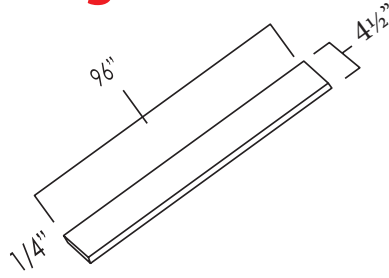
## Toe Kick Moulding

### Toe Kicks

TK8 8' WS-PS-HS-WP-ASP-WG

#### Specifications:

- 1/4" thick.
- Can be cut to fit.



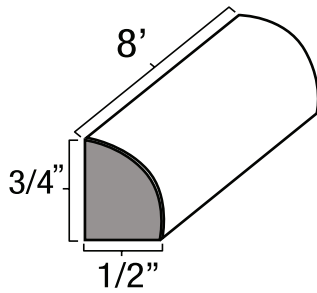
## Shoe Moulding

### Shoe Moulding

SHM8 8' WS-PS-HS-WP-ASP-WG

#### Specifications:

- 3/4" tall
- 1/2" thick



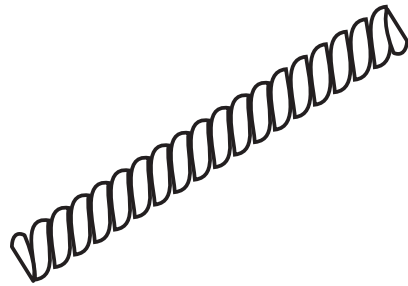
## Rope Insert Moulding

### Rope Insert Moulding

ROPE8 8' WS-PS-HS-WP-ASP-WG

#### Specifications:

- Sold in 8 ft long sections.
- 9/16th of an inch wide.
- 1/4 inch thick.
- Crown molding insert.



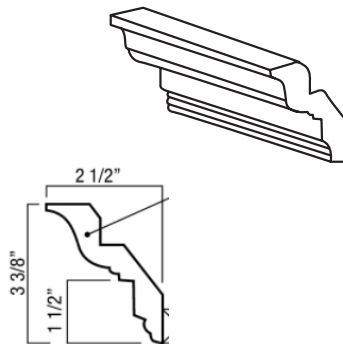
## Crown Moulding

### Crown Moulding

LCM8 8' WS-PS-HS-WP-ASP-WG

#### Specifications:

- Sold in 8ft sections.
- Flat section to accommodate Rope insert.
- When applying crown to full overlay cabinets a crown backer required.



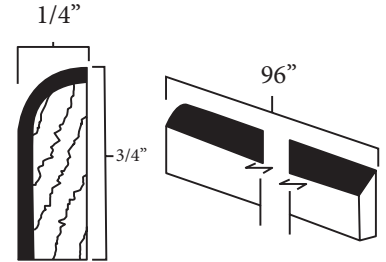
## Scribe Moulding

### Scribe Moulding

SM8 8' WS-PS-HS-WP-ASP

#### Specifications:

- Sold in 8 ft long sections.
- Use behind Light Rail Moulding when wrapping around the side of a wall cabinet.



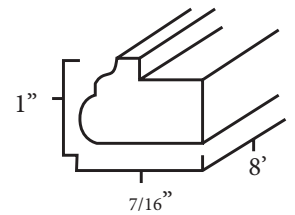
## Light Rail Moulding

### Light Rail Moulding

LRM8 8' WS-PS-HS-WP-ASP

#### Specifications:

- Sold in 8 ft long sections.



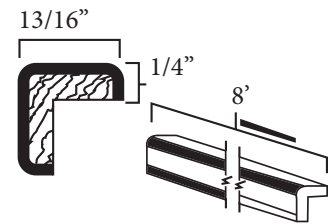
## Outside Corner Moulding

### Outside Corner

OCS8 8' WS-PS-HS-WP-ASP

#### Specifications:

- Sold in 8ft. long sections



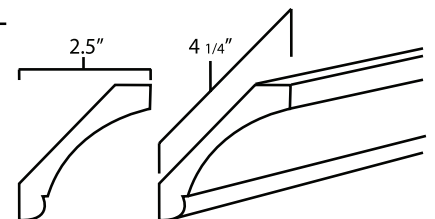
## Large Cove Crown Moulding

### Large Cove Crown

LVC 8' WS-PS-HS-WG

#### Specifications:

- Sold in 8ft. long sections



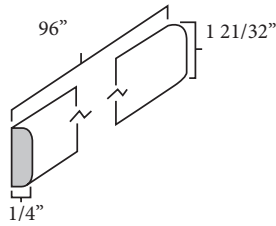
## Batten Moulding

### Batten Moulding

BM8 8' WS•PS•HS•WP•ASP•WG

#### Specifications:

- Sold in 8ft. long sections



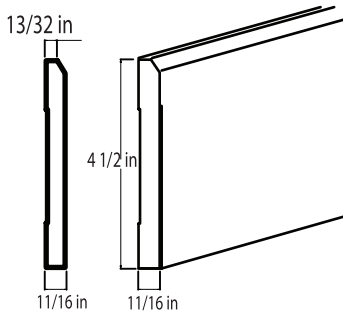
## Decorative Base Moulding

### Dec Base Moulding

DEC004 8' WS•PS•HS•WP•ASP•WG

#### Specifications:

- Sold in 8 ft long sections.
- 4 1/2" inches tall.
- 11/16 inch thick.



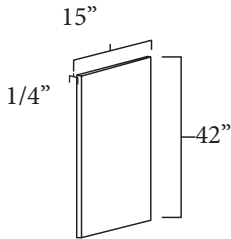
## Wall Skin

### Wall Skin

WS1542 15x42 WS•PS•HS•WP•ASP•WG

#### Specifications:

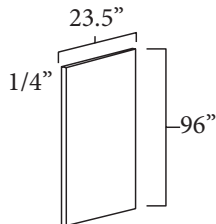
- 1/4" thick.
- Can be trimmed to desired height and/or width.



## Tall Skin

### Tall Skin

TS2496 235x96 HS•WG



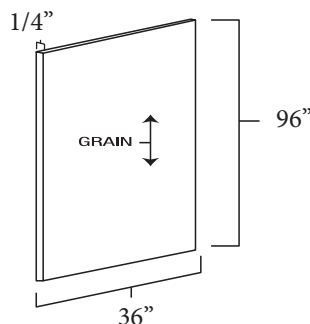
## Stained Plywood

### Stained Plywood

SPW 36x96 WS•PS•HS•WP•ASP•WG

#### Specifications:

- Sold in 8ft. long sections
- 1/4" thick.



## Touch-Up Kit

### Touch-Up Kits

TUK WS•PS•HS•JS•WP•ASP•WG

#### Included In Kit:

- One Wax Putty Stick
- One Touch-Up Marker



## Display/Sample Doors

### Display/Sample Doors

DD 1 Door WS•PS•HS•JS•WP•ASP•WG

KC-DDSET-7 7-Door Set WS•PS•HS•JS•WP•ASP•WG



White Shaker



Platinum Shaker



West Point Grey



Winchester Grey



Aspen White



Java Shaker



Hickory Shaker

#### Specifications:

- Summit White Shaker
- Summit Platinum Shaker
- Hickory Shaker
- Java Shaker
- West Point Grey
- Aspen White
- Winchester Grey

## Trash Can Pullout

### Trash Can Pullouts

RWC-TCK-DOUBLE 35QT

RWC-TCK-SINGLE 35QT

#### Specifications:

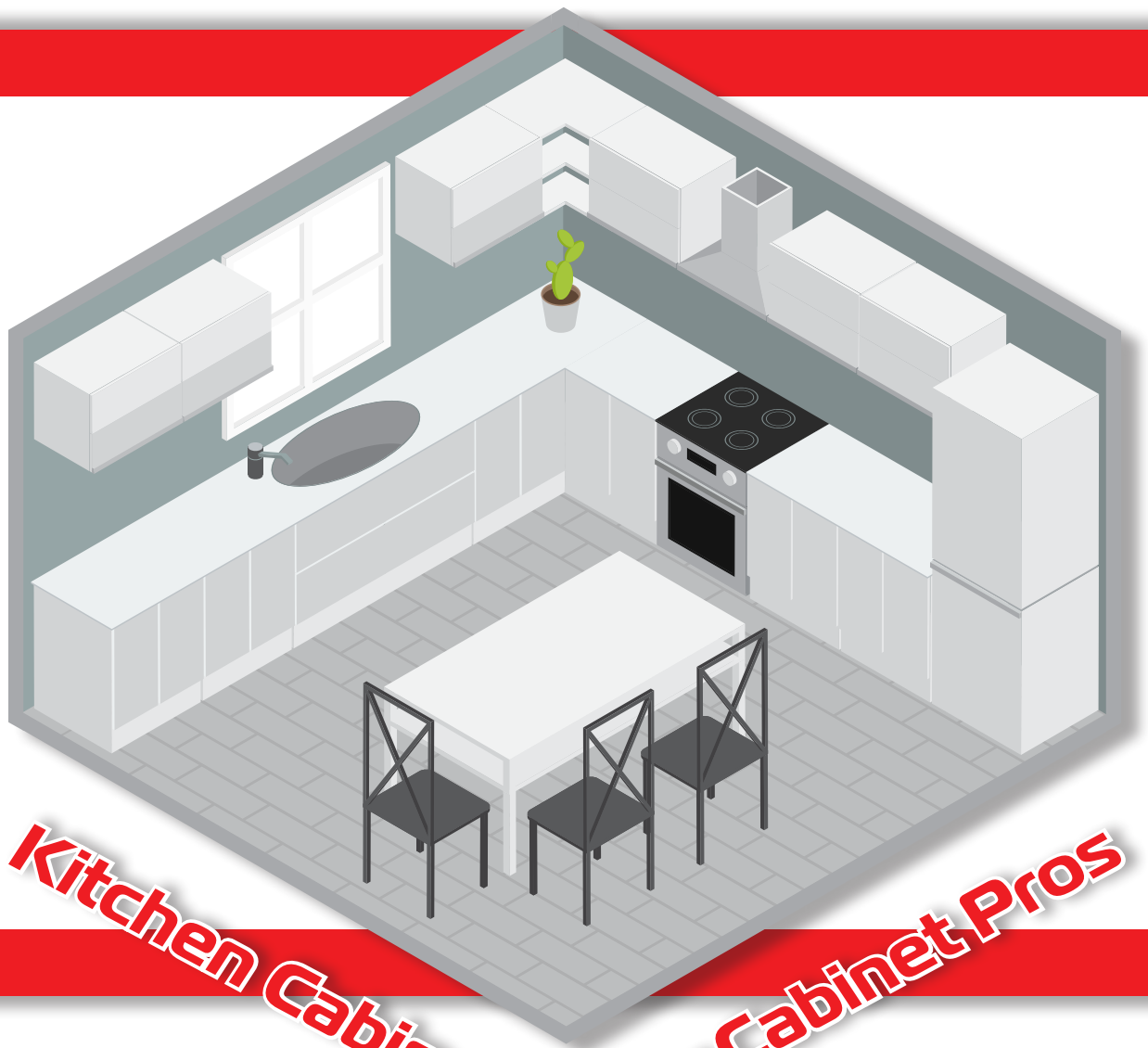
- Double 35QT Frame with Slides & Trash Cans
- Single 35QT Frame with Slides & Can
- Generic items for all colors



Single Trash Can Kits  
Fit B15 Base Cabinets



Double Trash Can Kits  
Fit B18 & B21 Base Cabinets



**Kitchen Cabinetry For Cabinet Pros**

**kraftsmancabinetry.com**  
**412-506-8688**